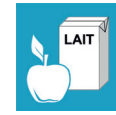




Applications



Multi-purpose



Food

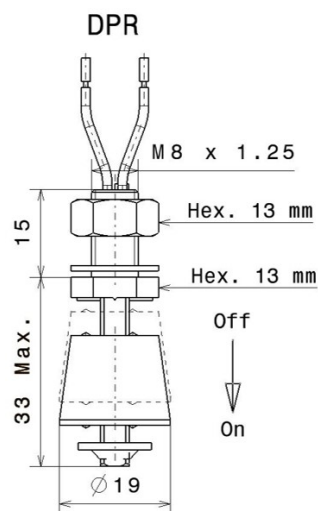
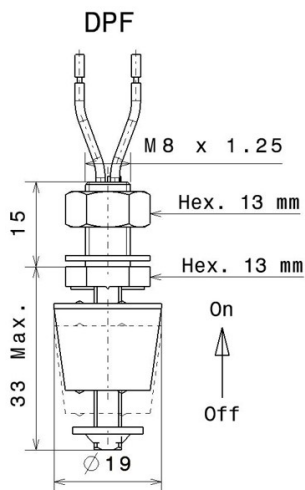


Hydrocarbons

This polypropylene level switch, supplied with nut and sealing washer, is fixed from the inside of the tank. With a small footprint, only 48 mm long, it is perfectly suited for applications in water up to 80°C.

The position of the float on the body allows the contact to be reversed (to be determined when ordering).

It can be reversed for installation at the bottom of the tank. The mounting orientation then determines the detection (high or low level).



General features	DPFHTF9220	DPRHTF9230
Body material	Polypropylene	Polypropylene
Float material	Polypropylene	Polypropylene
Seal material	Silicone	Silicone
Nut material	Nylon	Nylon
Cable material	PVC	PVC
Cable cross section	0,34 mm ² - 500 mm	0,34 mm ² - 500 mm
Operating temperature (in water)	0 to 80°C	0 to 80°C
Contact closed	Nut side	Stop side
Applications	Multi-purpose, Food	Multi-purpose, Food

Electrical features of the contact

Electrical power max.	30 W
Electrical voltage (AC) max.	250 V
Electrical voltage (DC) max.	200 V
Current max.	1 A

Installation instructions

- Mounting from inside the tank
- Drilling diameter: Ø8,5 mm
- Wall thickness: to 6 mm
- Fastening: Seal and nut M8
- Tightening torque: 0,6 Nm

A tailor-made request?

Our design office and our sales department are able to offer you an optimal solution in answer to your specifications:

material, wire, cable, connector, specific accessory...

Contact us to discuss your project together.

