



Applications



Multi-purpose



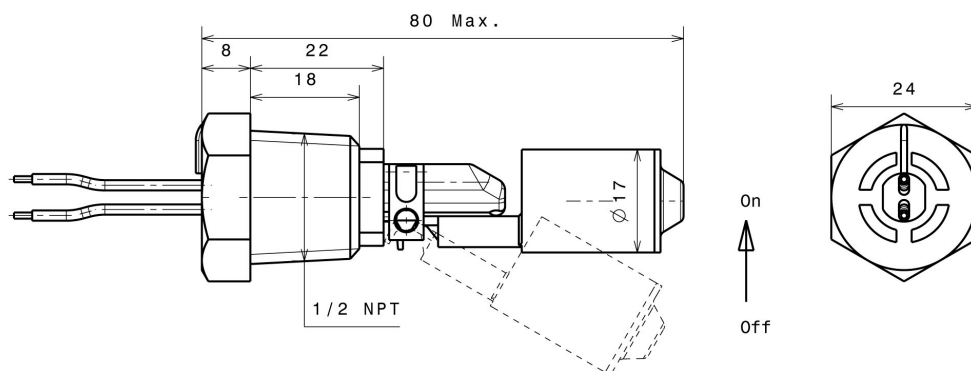
Food



Hydrocarbons

This polyamide or polypropylene level switch is mounted from the outside of the tank using a 1/2 NPT thread.

It allows to detect «high» or «low» levels: float aligned with the body (NC), according to its mounting direction.



| General features | DHNOFA5230 | DHNOFP5370 |
|----------------------------------|--------------------------------|------------------------------|
| Body material | Polyamide | Polypropylene |
| Float material | Polyamide | Polypropylene |
| Cable material | PVC | PVC |
| Cable cross section | 0.6 mm ² - 500 mm | 0.6 mm ² - 500 mm |
| Operating temperature (in water) | 0 to 80°C | 0 to 80°C |
| Applications | Multi-purpose, Hydrocarbons | Multi-purpose, Food |

Electrical features of the contact

| | |
|------------------------------|-------|
| Electrical power max. | 30 W |
| Electrical voltage (AC) max. | 250 V |
| Electrical voltage (DC) max. | 200 V |
| Current max. | 1 A |

Installation instructions

- Mounting from outside the tank
- Screw fixing in a 1/2 NPT thread
- Closed contact when the liquid rises or falls
- Tightening torque: 0,5 to 5 Nm

A tailor-made request?

Our design office and our sales department are able to offer you an optimal solution in answer to your specifications:

material, wire, cable, connector, specific accessory...

Contact us to discuss your project together.

