

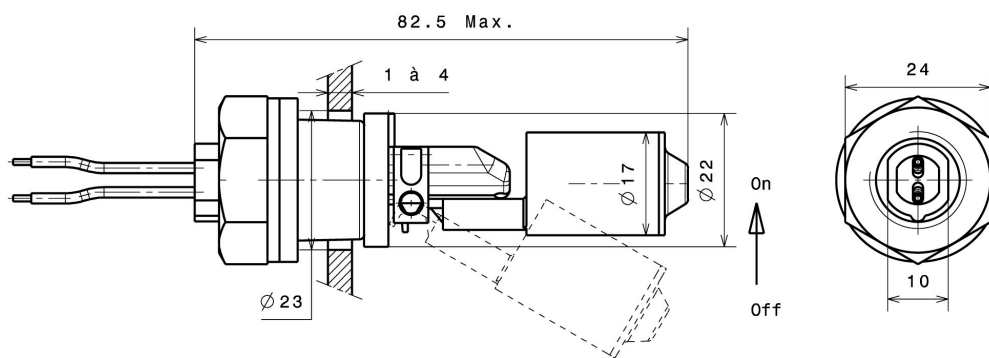


Applications



This level switch is available in polyamide or polypropylene and can be mounted from outside the tank or tank. Its fixing is secured by a compression seal provided.

It allows to detect «high» or «low» levels: float aligned with the body (NC), according to its mounting direction.



General features	DHGEFP2560	DHGNFA2660	DHGSFA5200
Body material	Polypropylene	Polyamide	Polyamide
Float material	Polypropylene	Polyamide	Polyamide
Seal material	EPDM	Nitrile	Silicone
Nut material	Nylon	Nylon	Nylon
Support washer material	Nylon	Nylon	Nylon
Cable material	PVC	PVC	PVC
Cable cross section	0.6 mm ² - 500 mm	0.6 mm ² - 500 mm	0.6 mm ² - 500 mm
Operating temperature (in water)	0 to 80°C	0 to 80°C	0 to 80°C
Applications	Multi-purpose	Multi-purpose, Hydrocarbons	Multi-purpose

Electrical features of the contact

Electrical power max.	30 W
Electrical voltage (AC) max.	250 V
Electrical voltage (DC) max.	200 V
Current max.	1 A

Installation instructions

- Mounting from outside the tank
- Fixing by compression of an expansion joint
- Drilling diameter: Ø23 mm
- Wall thickness: 1 to 4 mm
- Closed contact when the liquid rises or falls
- Tightening torque:
 - 0,5 à 3 Nm for EPDM seal
 - 0,8 à 1 Nm for silicone seal
 - 0,5 Nm for nitrile seal

A tailor-made request?

Our design office and our sales department are able to offer you an optimal solution in answer to your specifications:

material, wire, cable, connector, specific accessory...

Contact us to discuss your project together.

