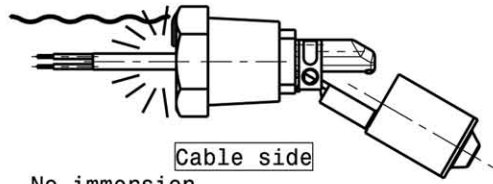
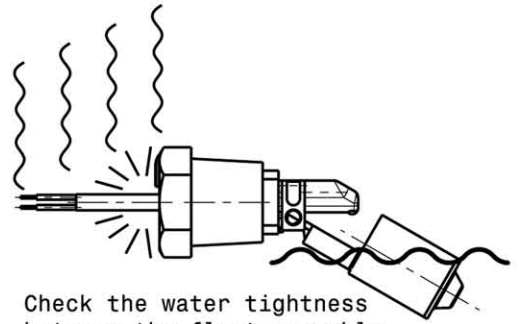


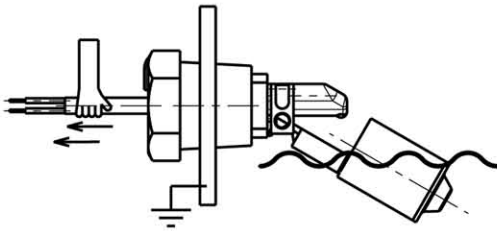
Make sure it is installed in horizontal position



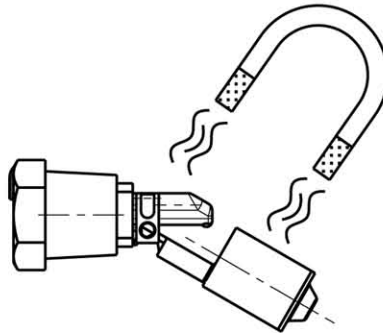
Cable side
No immersion
No humidity
No vapour
No run off allowed
A specific request is otherwise necessary in particular for air-conditioning applications



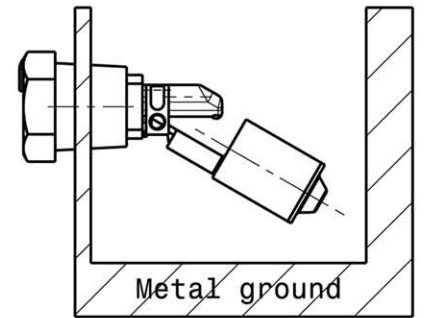
Check the water tightness between the float assembly and the cable assembly



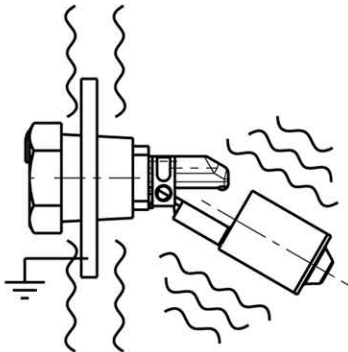
Cable side
No traction exerted on the wires



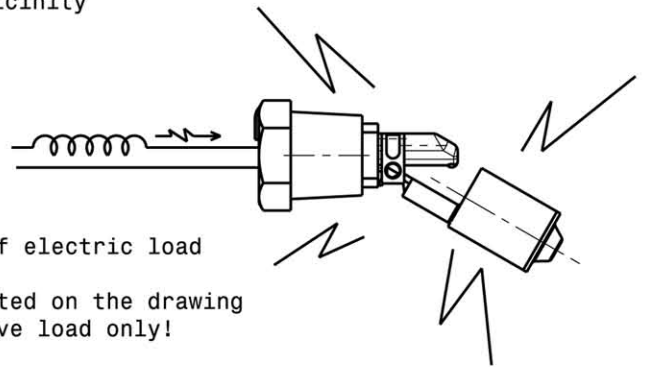
Make sure there is no magnetic field in the vicinity



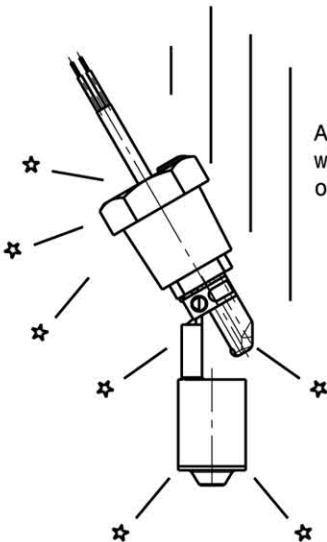
Do not install in the vicinity of a magnetic metal ground
Risk of modification or disturbance in the detection



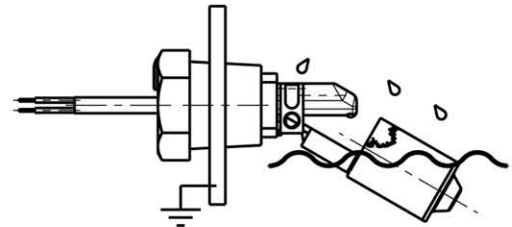
Make sure there are no vibrations in the installation area
A specific request is otherwise necessary



Check the kind of electric load on the contacts
The value indicated on the drawing is for a resistive load only!



Avoid any shock to the level sensor when stored or when fitted as it may otherwise modify its characteristics



Make sure the chemical character of the liquid used is compatible with the components of the sensor that are immersed, in combination with the operating or peak temperature and the required lifetime