

mini FLOWATCH® 1 EVO

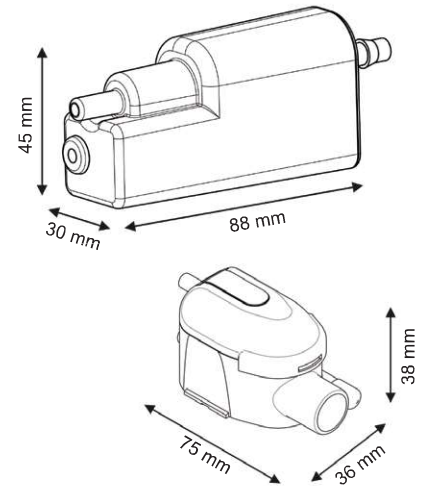
SICCOM

Economical mini solenoid pump, with alarm, for the condensate removal of air conditioners up to 10kW / 36000BTU.

Ref: DE05LCD600



ECO



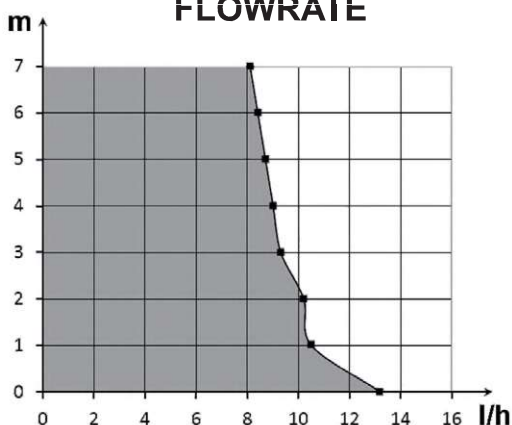
Hose diameter
Suction : 5/7 mm - supplied
Discharge : 6/9 mm - not supplied

SPECIFICATIONS

Flowrate max	13.2 l/h
Suction head max	1.5 m
Discharge head max	10 m
Electrical power	19W
Voltage	220-240V 50/60Hz
Alarm	NC
Noise level	
Protection rating	IP24
Thermal protection	Yes
Operating cycle*	100%
Power / alarm cable	1.5 m
Dimensions	88 x 30 x 45 / 75 x 36 x 38 mm
Certifications	CE, UKCA, EAC

* The pump is able to run 100% of the time if necessary.

FLOWRATE



BENEFITS



Plus & Play connectors

Make installation and maintenance easier.



Clear reservoir

Facilitates maintenance thanks to a quick visualization of the reservoir state.



Removable integrated filter

The reservoir has a metal filter that can be easily removed for quick cleaning.



Alarm function

The NC alarm on the mini FLOWATCH® 1 EVO allows to cut off the air conditioner power supply in the event of condensate overflow.



IP24 protection

Protected against water splashes.



Accessories included

Necessary accessories are supplied in the box.



CONTENTS

Pump - Reservoir with air-vent tube
- Double-side adhesive - Inlet tube -
Suction tube 1.5m - 3 clamps