

Centrifugal pump CP08

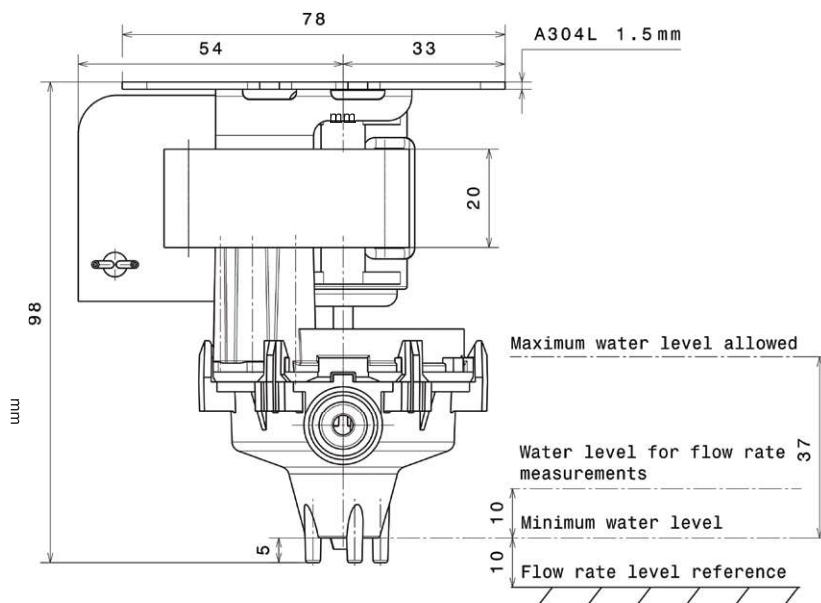
Universal centrifugal pump dedicated to split cassettes.

SICCOM

Ref: CP08SC6641



PREMIUM

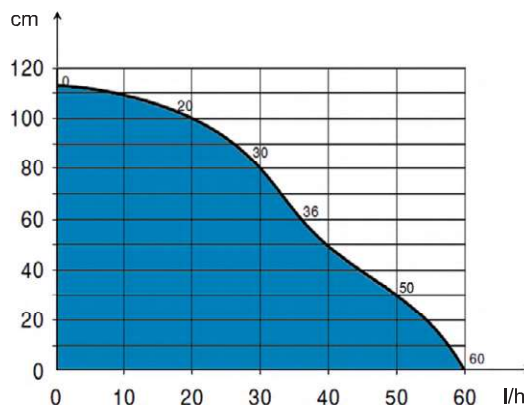


SPECIFICATIONS

Flowrate max	60 l/h
Discharge head max	110 cm
Electrical power	8W
Voltage	220-240V 50/60Hz
Noise level	
Protection rating	IP54
Temperature rise	66K
Operating cycle**	100%
Outlet tube	Ø 14 mm
Dimensions	87 x 75 x 98 mm
Certifications	CE, EAC

* The pump is able to run 100% of the time if necessary.

FLOWRATE



BENEFIT



Universal plate

The CP08 mounting plate has been designed to fit the majority of cassette air conditioners on the market.

It can therefore easily replace another model of centrifugal pump at a cheaper price!