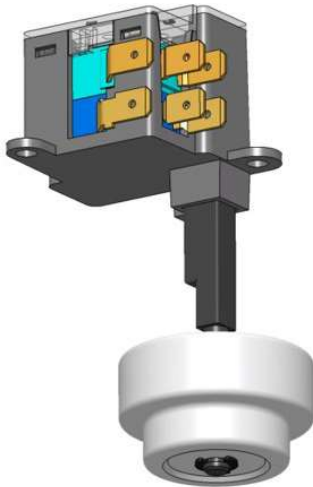


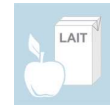
DY series



Applications



Multi-purpose



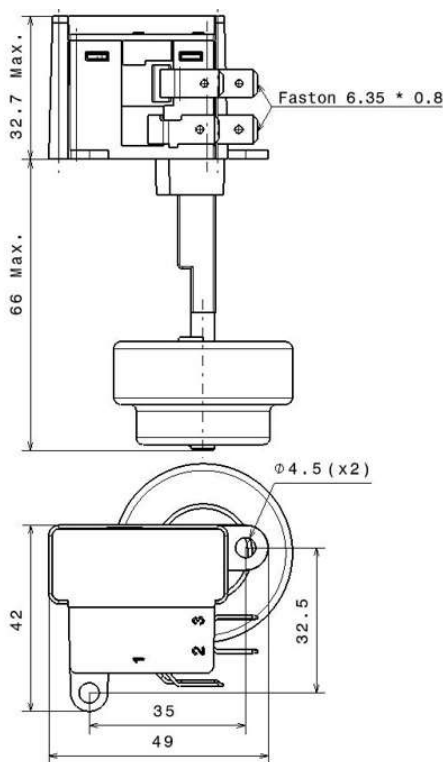
Food



Hydrocarbons

This level sensor, with a space requirement outside the tank of 38 mm long and 32.5 mm wide, is used in a vertical position and allows the measurement of the high level of a liquid in a container. The maximum diameter of the conical float is 45 mm, for a height of 23 mm.

The 2 tops allow two levels of component control, one working contact and one alarm or power failure contact.



General features	DYBB015500
Body material	ABS
Matière tige	Polyacétal
Float material	Polystyrène
Cable material	PVC
Operating temperature (in water)	0 to 50°C
Applications	Multi-purpose

Electrical features of the contact

Electrical voltage (AC) max.	250 V
Current max. (low level)	4 A
Current max. (high level)	3A

Installation instructions

- Fastening with screws or plastic rivets
- Trigger levels available on plan
- Optional / Custom made:
 - Integral protective sleeve made of elastomer
 - Different rod length
 - Float dimensions

A tailor-made request?

Our design office and our sales department are able to offer you an optimal solution in answer to your specifications:

rod length, float dimensions/form, protection sleeve....

Contact us to discuss your project together.

