



Applications



Multi-purpose



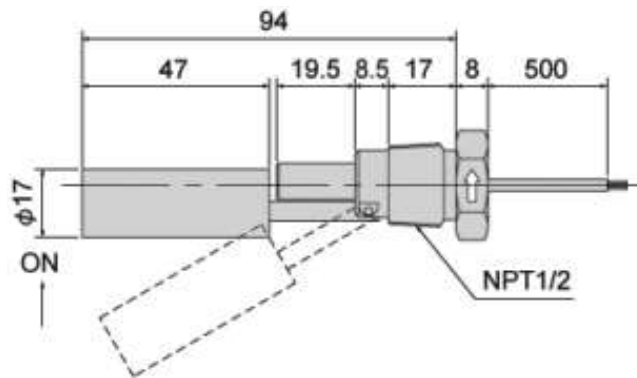
Food



Hydrocarbons

This stainless steel level switch is mounted from the outside of the tank using a 1/2 NPT thread.

It allows to detect «high» or «low» levels according to its mounting orientation.



General features	DXN0FXD080
Body material	Stainless steel
Float material	Stainless steel
Cable material	PVC
Cable cross section	0,34 mm ² - 350 mm
Operating temperature (in water)	-40 to 120°C
Applications	Multi-purpose, food, hydrocarbons

Electrical features of the contact

Electrical power max.	50 W
Electrical voltage (AC) max.	300 V
Electrical voltage (DC) max.	300 V
Current max.	0,5 A

Installation instructions

- Mounting from outside the tank
- Screw fixing in a 1/2 NPT thread
- Closed contact when the liquid rises or falls