

# DHN series

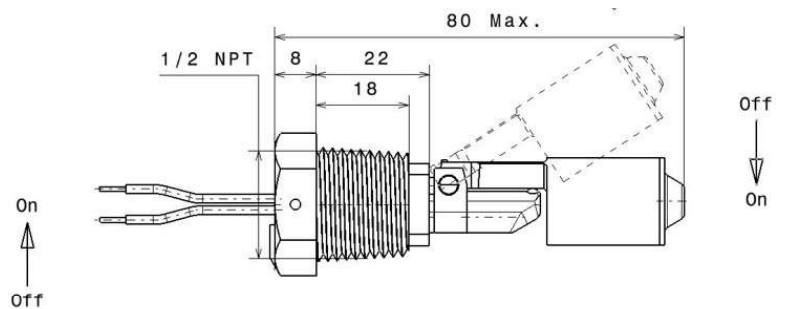
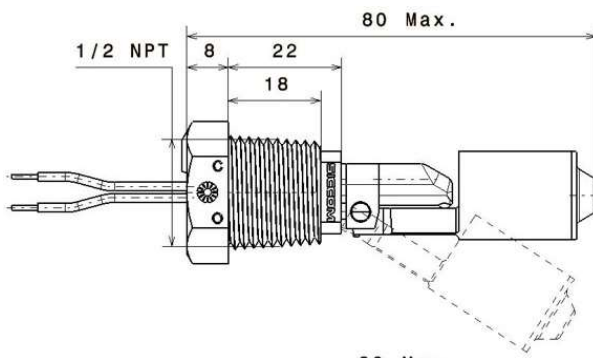


## Applications



This polyamide or polypropylene level switch is mounted from the outside of the tank using a 1/2 NPT thread.

It allows to detect «high» or «low» levels: float aligned with the body (NC), according to its mounting direction.



General features	DHNOFA5230	DHNOFP5370
Body material	Polyamide	Polypropylene
Float material	Polyamide	Polypropylene
Cable material	PVC	PVC
Cable cross section	0.6 mm <sup>2</sup> - 500 mm	0.6 mm <sup>2</sup> - 500 mm
Operating temperature (in water)	0 to 80°C	0 to 80°C
Applications	Multi-purpose, Hydrocarbons	Multi-purpose, Food

### Electrical features of the contact

Electrical power max.	30 W
Electrical voltage (AC) max.	250 V
Electrical voltage (DC) max.	200 V
Current max.	1 A

### Installation instructions

- Mounting from outside the tank
- Screw fixing in a 1/2 NPT thread
- Closed contact when the liquid rises or falls
- Tightening torque: 0,5 to 5 Nm

### A tailor-made request?

Our design office and our sales department are able to offer you an optimal solution in answer to your specifications:

material, wire, cable, connector, specific accessory...

Contact us to discuss your project together.

