

DHM series



Applications



Multi-purpose



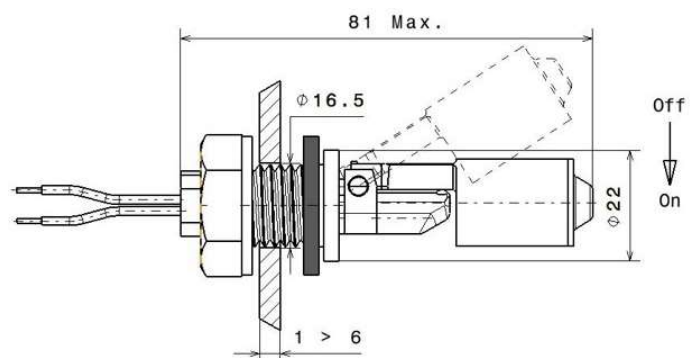
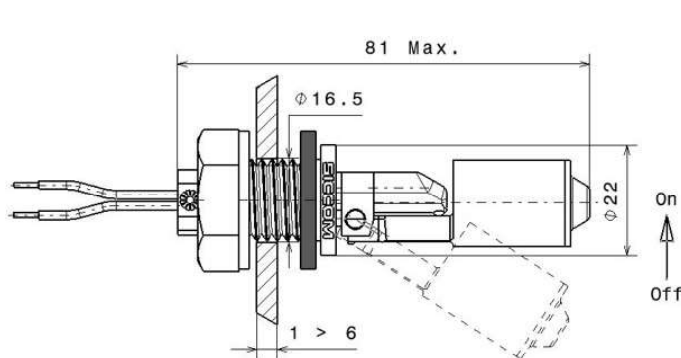
Food



Hydrocarbons

This polyamide level switch is mounted from inside the tank. It is supplied with its accessories for a secure and waterproof fixing.

It allows to detect «high» or «low» levels according to its mounting orientation.



General features	DHMCFA5360
Body material	Polyamide
Float material	Polyamide
Sealed washer material	Rubber GU70
Washer material	Nylon
Cable material	PVC
Cable cross section	0.6 mm ² - 500 mm
Operating temperature (in water)	0 to 80°C
Applications	Multi-purpose

Electrical features of the contact

Electrical power max.	30 W
Electrical voltage (AC) max.	250 V
Electrical voltage (DC) max.	200 V
Current max.	1 A

Installation instructions

○ Mounting from inside the tank
○ Fixing by a gasket, a support washer and a nut M16
○ Drilling diameter: 17 mm
○ Closed contact when the liquid rises or falls
○ Tightening torque: 0,5 to 3 Nm

A tailor-made request?

Our design office and our sales department are able to offer you an optimal solution in answer to your specifications:

material, wire, cable, connector, specific accessory...

Contact us to discuss your project together.

