

DD series



Applications



Multi-purpose



Food

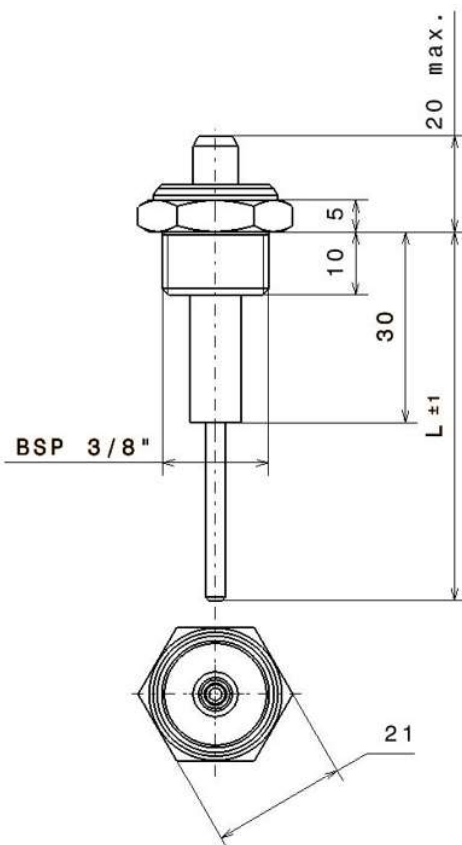


Hydrocarbons

The DD probe, also known as the Divar probe, is a multi-threshold level detector (1, 2 or 3 thresholds) that uses the resistivity of the liquid (from 0.30 mS to 0.55 mS). This probe can be positioned vertically or horizontally (1 threshold) in a metal or plastic tank (under consultation).

We can also provide the electronic management board in 2 versions: one for an AC power supply and another for a DC power supply.

General features	
Body material	Silicone
Matière tige	Inconel®
Nut material	Brass
Cable material	Silicone sheath + fibreglass
Cable cross section	0,6 mm ² - 300 mm
Operating temperature (in water)	0 to 100°C
Applications	Multi-purpose



Electrical features of the contact	
Electrical voltage (DC) max.	6 to 30 V
Current max. (low level)	1,5 to 28 A

Installation instructions	
○ Mounting by 3/8 BSP cylindrical brass thread	
○ Grounding by the liquid	
○ Operating pressure from 5 bar in operation to 10 bar in peak	
○ Mounting at the top or bottom of the tank	

A tailor-made request?

Our design office and our sales department are able to offer you an optimal solution in answer to your specifications:

material, wire, cable, connector, specific accessory...

Contact us to discuss your project together.